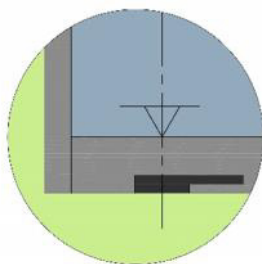
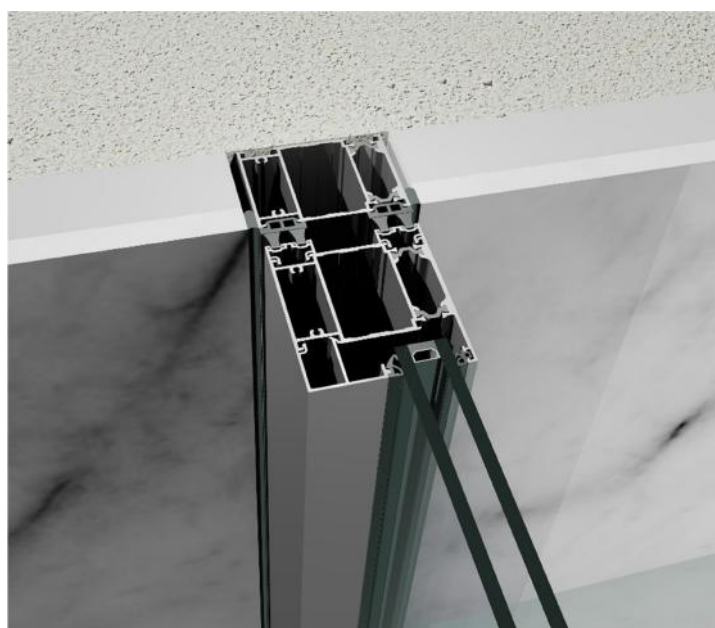


GC74 SYSTEM
NO LIMITED DIMENTION

UP TO
2943 N



نداشتن محدودیت اندازه در انتخاب در های ورودی ساختمان یکی از خواسته های معماری نوین است سیستم GC74 برای درهای ورودی ساختمان و بصورت ترمال بریک طراحی شده است . این سیستم قابلیت استفاده بصورت محوری تک لنگه و بادبزنی بصورت تک لنگه و دو لنگه و در هر دو حالت با فیکس بغل یا بالا را دارد. این سیستم با تحمل وزن ۲۵۰ کیلو گرم در حالت محوری و تا ۳۰۰ کیلو گرم در بازشوی بادبزنی راه حل مناسبی برای رسیدن به حداکثر ابعاد برای ورودی ساختمانها میباشد. امکان نصب در کرتین وال و مخفی کردن فریم در مصالح ساختمانی از دیگر مزایای این سیستم است.



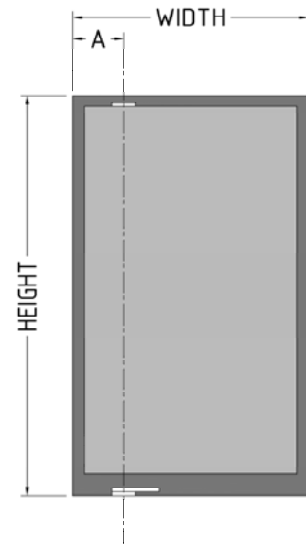
GC74 PIVOT DOOR

See the table Below for exaamples, for more information please contact GLOBALUM

A = 250mm.

Max. Sash weight = 250 kg

		SASH WIDTH				
		1500	2500	3000	3500	4000
SASH HEIGHT	2000	90 Kg	150 Kg	180 Kg	210 Kg	240 Kg
	2200	99 Kg	165 Kg	198 Kg	231 Kg	
	2500	112.5 Kg	187.5 Kg	225 Kg		
	2750	123.75 Kg	206.25 Kg	247.5 Kg		
	3000	135 Kg	225 Kg			
	3250	146.25 Kg	243.75 Kg			



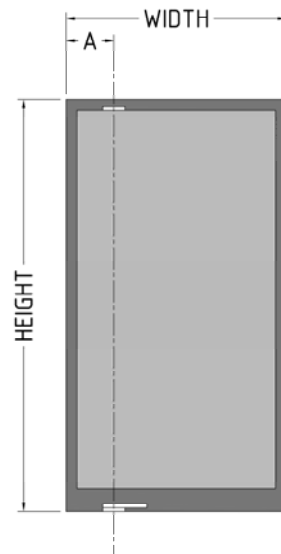
GC74 DOUBLE ACTION DOOR

See the table Below for exaamples, for more information please contact GLOBALUM

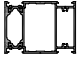

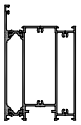









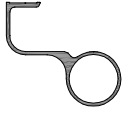
A = 150mm.

Max. Sash weight = 300 kg










		SASH WIDTH				
		1500	2500	3000	3500	4000
SASH HEIGHT	2000	90 Kg	150 Kg	180 Kg	210 Kg	240 Kg
	2200	99 Kg	165 Kg	198 Kg	231 Kg	264 Kg
	2500	112.5 Kg	187.5 Kg	225 Kg	262.5 Kg	300 Kg
	2750	123.75 Kg	206.25 Kg	247.5 Kg	288.75 Kg	
	3000	135 Kg	225 Kg	270 Kg		
	3250	146.25 Kg	243.75 Kg	292.5 Kg		





PROFILES :

Number	Shape	DESCRIPTION	$I_x \text{ cm}^4$	$I_y \text{ cm}^4$
2117401		Outer Frame / Mullion / Transom	50.48	28.44
2217401		Top and Side Sash	55.74	33.79
2217402		Bottom Sash	146.54	79.71
1000603		Pivot Sash Stop Profile	—	—
1000604		Pile Insertion Profile	—	—
1000606		Threshold Profile	—	—
1000562		Outer Glazing bead . 14/18	—	—
1000409		Glazing bead 12 mm. 14/18	—	—
1000405		Glazing bead 20 mm. 14/18	—	—
1000414		Glazing bead 28 mm. 14/18	—	—
1000467		Glazing bead 36 mm. 14/18	—	—
1000503		Round tube 50x2.5mm.	—	—
5420100		Door handle Connector 100mm	—	—


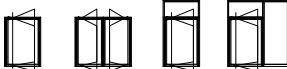
ACCESSORIES :

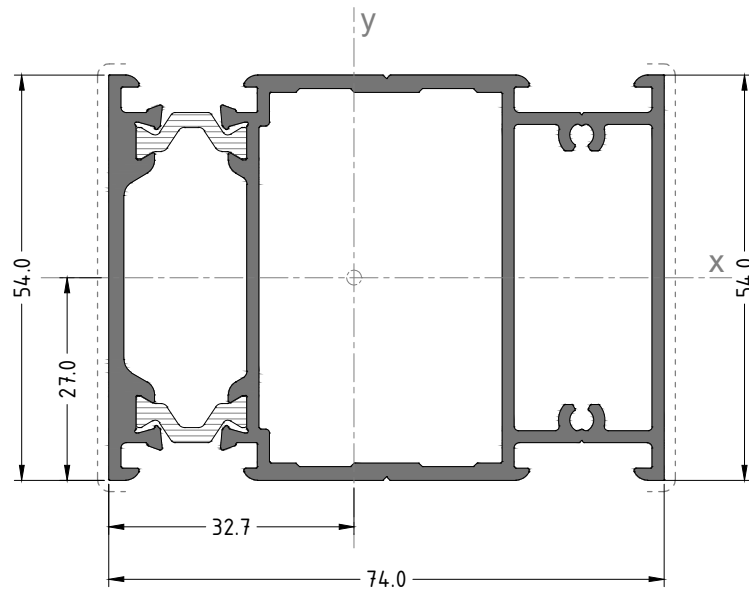
Number	Shape	DESCRIPTION
7001001		Outer glazing gasket
7001062		Inner glazing gasket 10-11 mm
7001002		Inner glazing gasket 8-9 mm
7001005		Inner glazing gasket 6-7 mm
7001034		Inner glazing gasket 4-5 mm
7001082		Weather seal gasket
7001083		Cover Gasket
7906807		Brush 7mm
7906811		Brush 11mm

CORNERS :

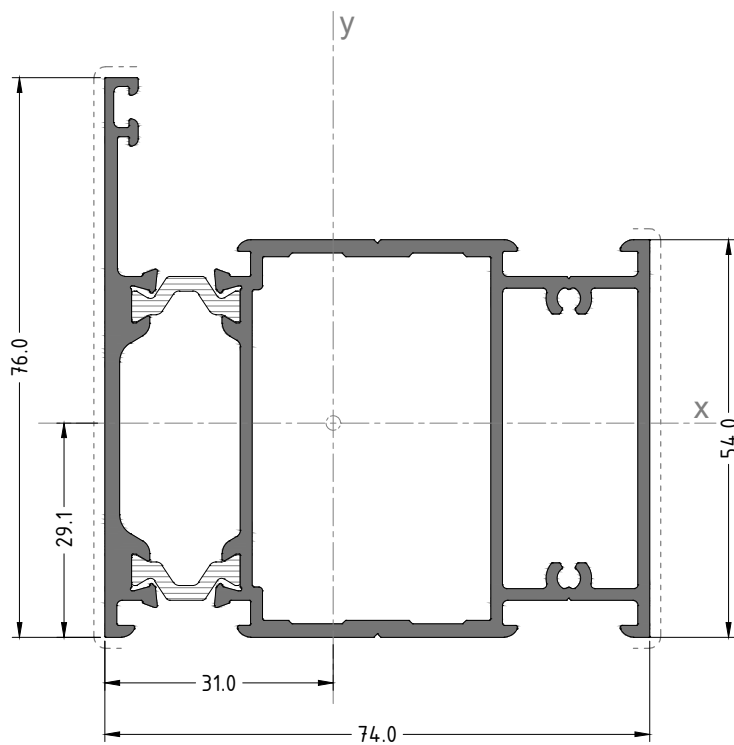
Number	Shape	Corner Nail / Crimp	Corner Alignment	T.Connector
2117401		5260306	—	—
2217401		5260306	—	—

GC74

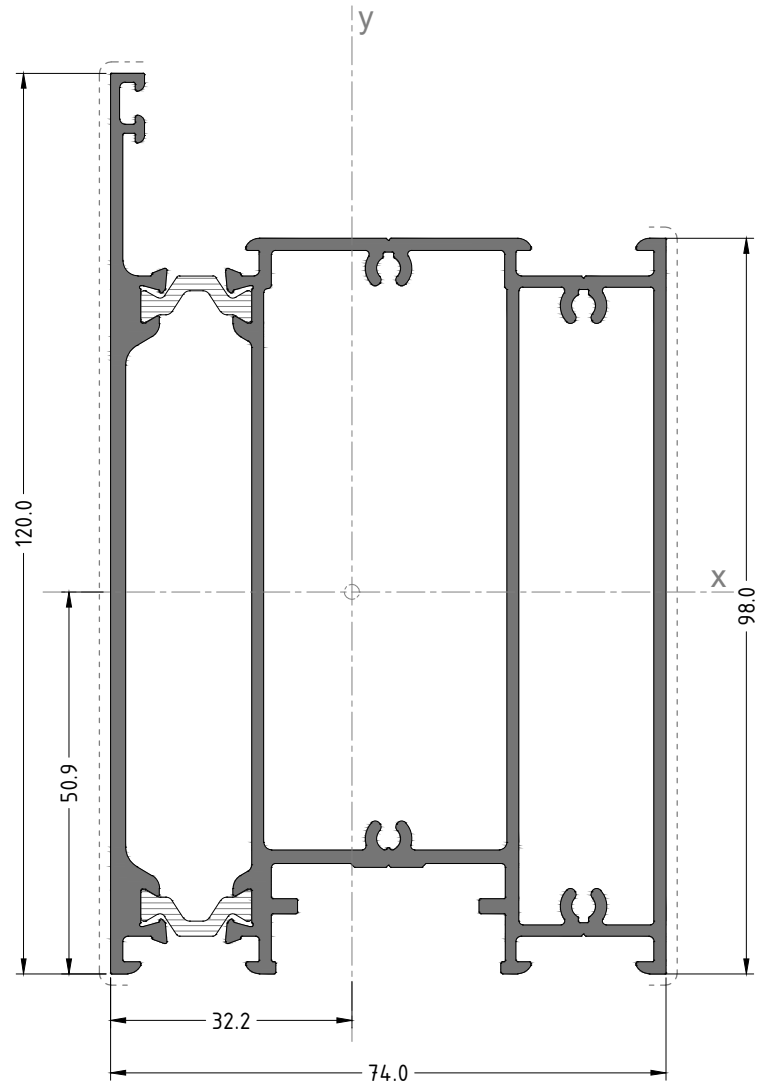
Type	Shape
PIVOT DOOR	
DOUBLE ACTION DOOR	



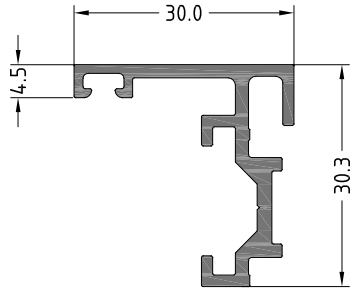
DESCRIPTION	Number	$I_x \text{ cm}^4$	$I_y \text{ cm}^4$	$e_x \text{ cm}$	$e_y \text{ cm}$	$W_x \text{ cm}^3$	$W_y \text{ cm}^3$
Outer Frame / Mullion / Transom	2117401	50.48	28.44	3.27	2.70	18.69	6.88



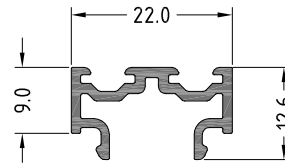
DESCRIPTION	Number	I_x cm ⁴	I_y cm ⁴	e_x cm	e_y cm	W_x cm ³	W_y cm ³
Top and Side Sash	2217401	55.74	33.79	3.10	2.91	11.88	7.86



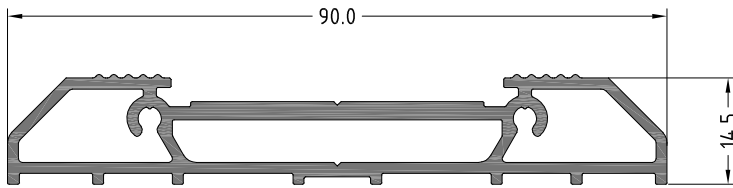
DESCRIPTION	Number	$I_x \text{ cm}^4$	$I_y \text{ cm}^4$	$e_x \text{ cm}$	$e_y \text{ cm}$	$W_x \text{ cm}^3$	$W_y \text{ cm}^3$
Bottom Sash	2217402	146.54	79.71	3.22	5.09	21.20	19.04



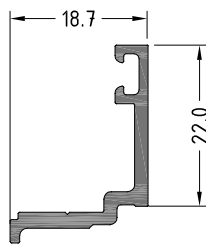
DESCRIPTION	Number
Pivot Sash Adaptor	1000603



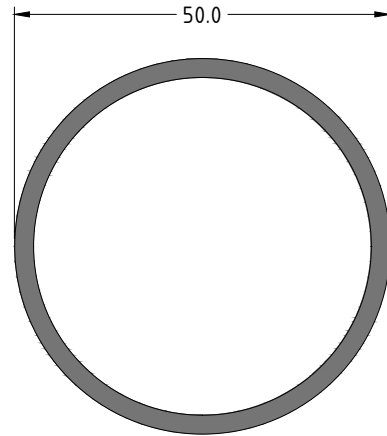
DESCRIPTION	Number
Pivot Sash Adaptor	1000604



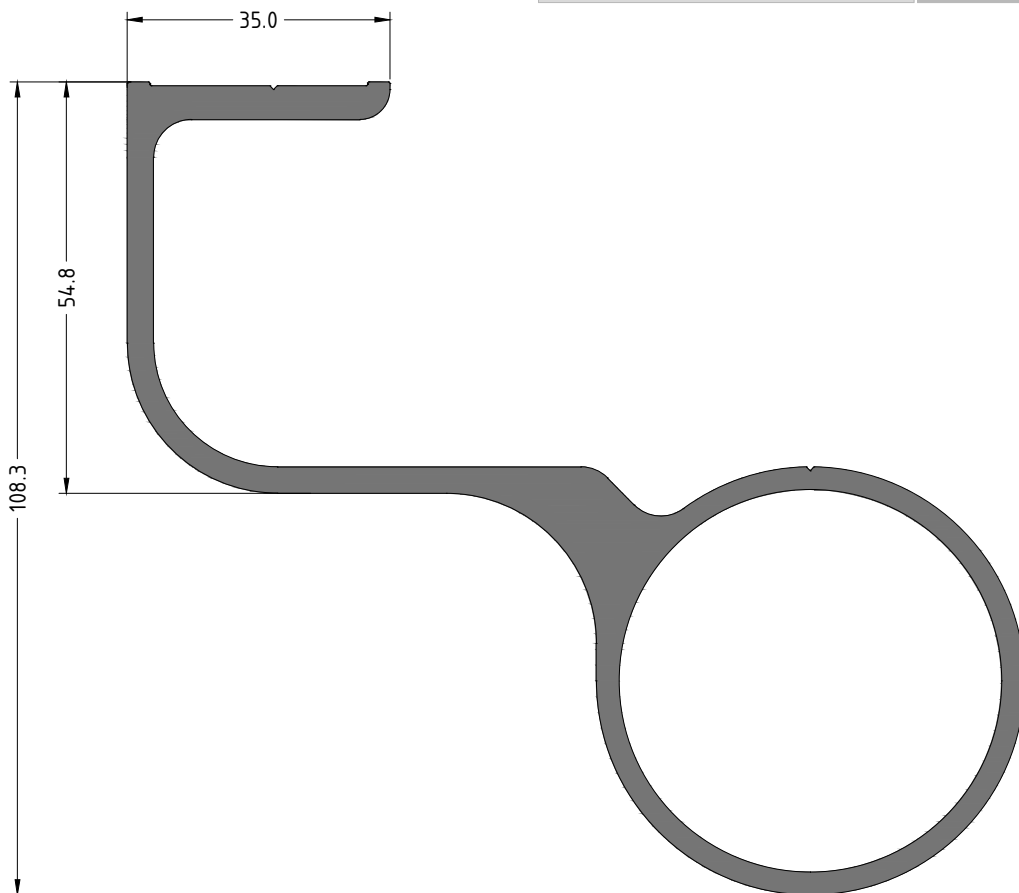
DESCRIPTION	Number
Threshold Profile	1000606



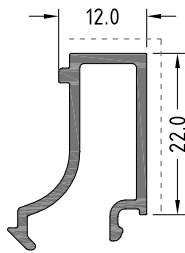
DESCRIPTION	Number
Outer Glazing bead 14/18	1000562



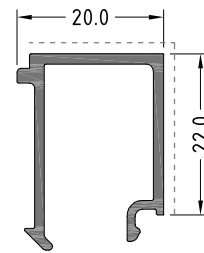
DESCRIPTION	Number
Round tube 50x2.5mm.	1000503



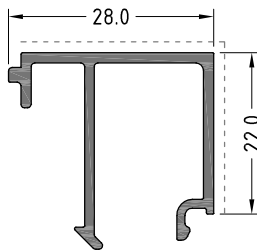
DESCRIPTION	Number
Door handle Connector 100mm	5420100



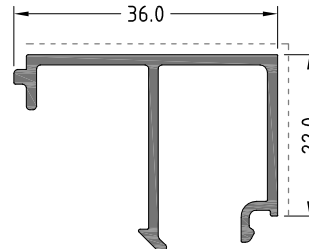
DESCRIPTION	Number
Glazing bead 12mm. 14/18	1000409



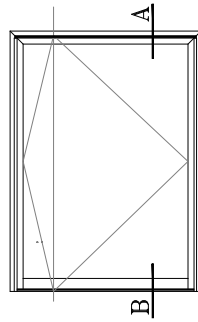
DESCRIPTION	Number
Glazing bead 20mm. 14/18	1000405



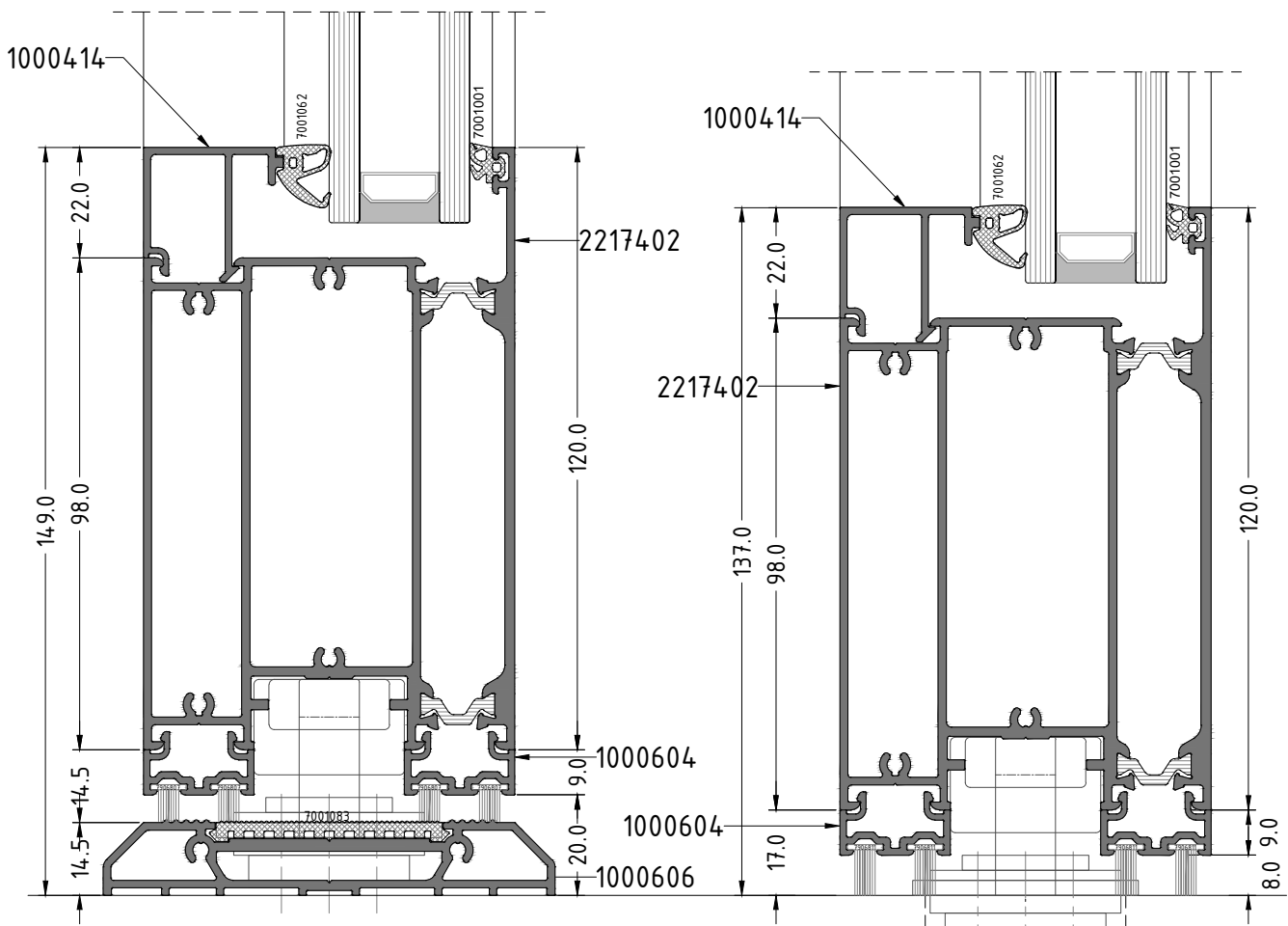
DESCRIPTION	Number
Glazing bead 28mm. 14/18	1000414



DESCRIPTION	Number
Glazing bead 36mm. 14/18	1000467



PIVOT DOOR

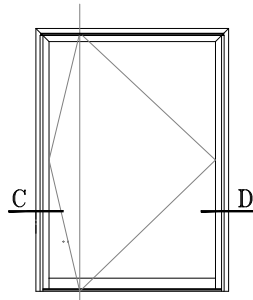


Section B

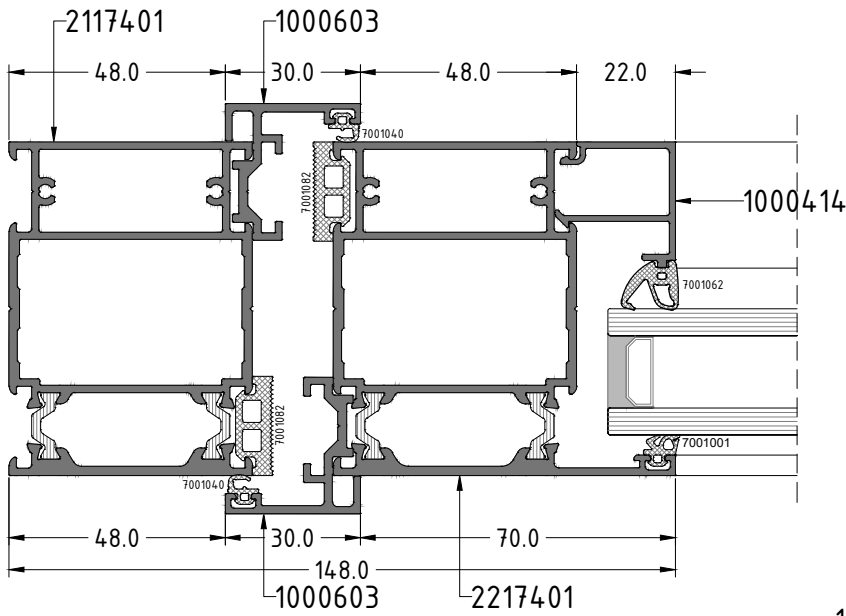
With Threshold 1000606

Section B

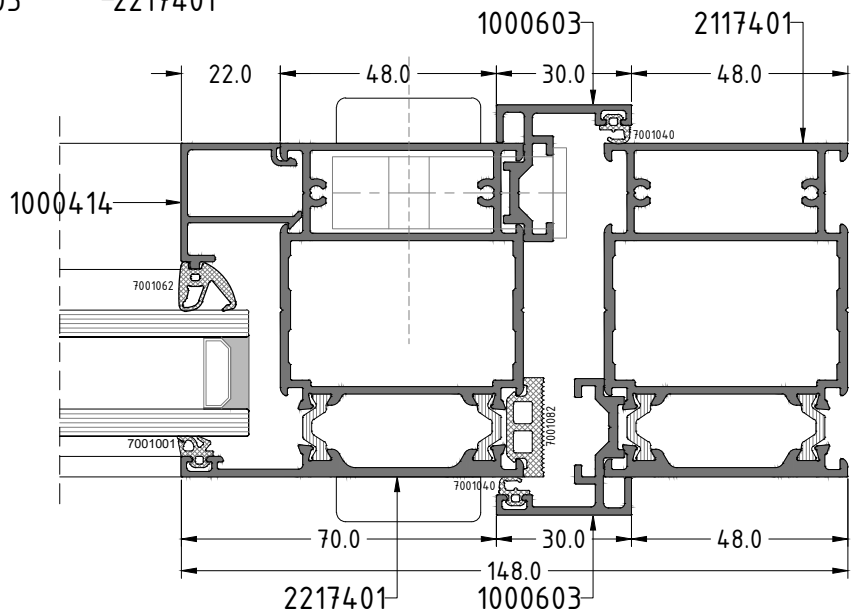
Without Threshold



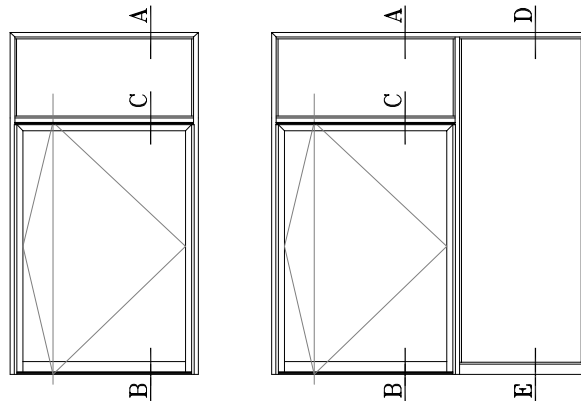
PIVOT DOOR



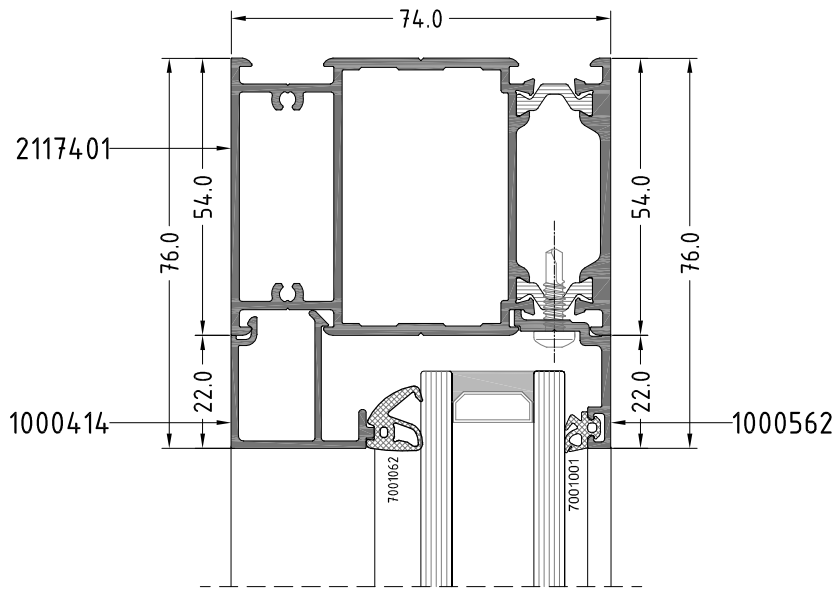
Section C



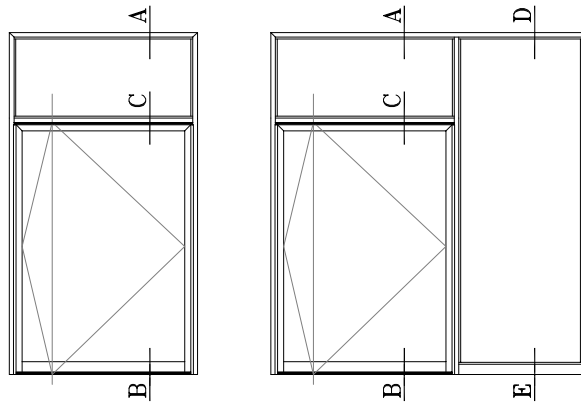
Section D



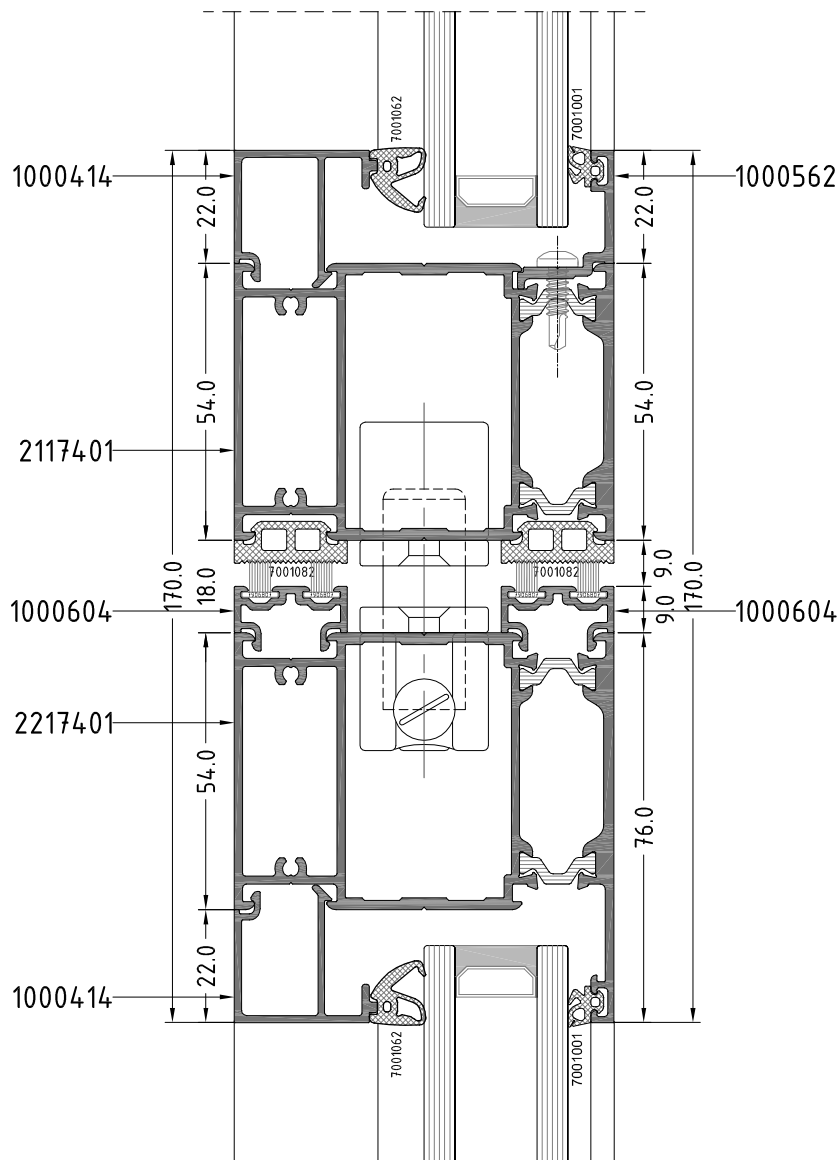
PIVOT DOOR



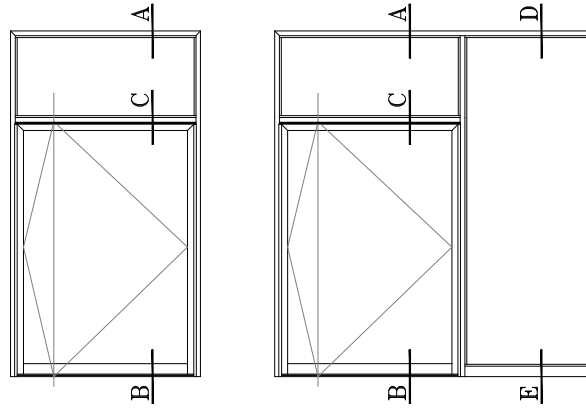
Section A



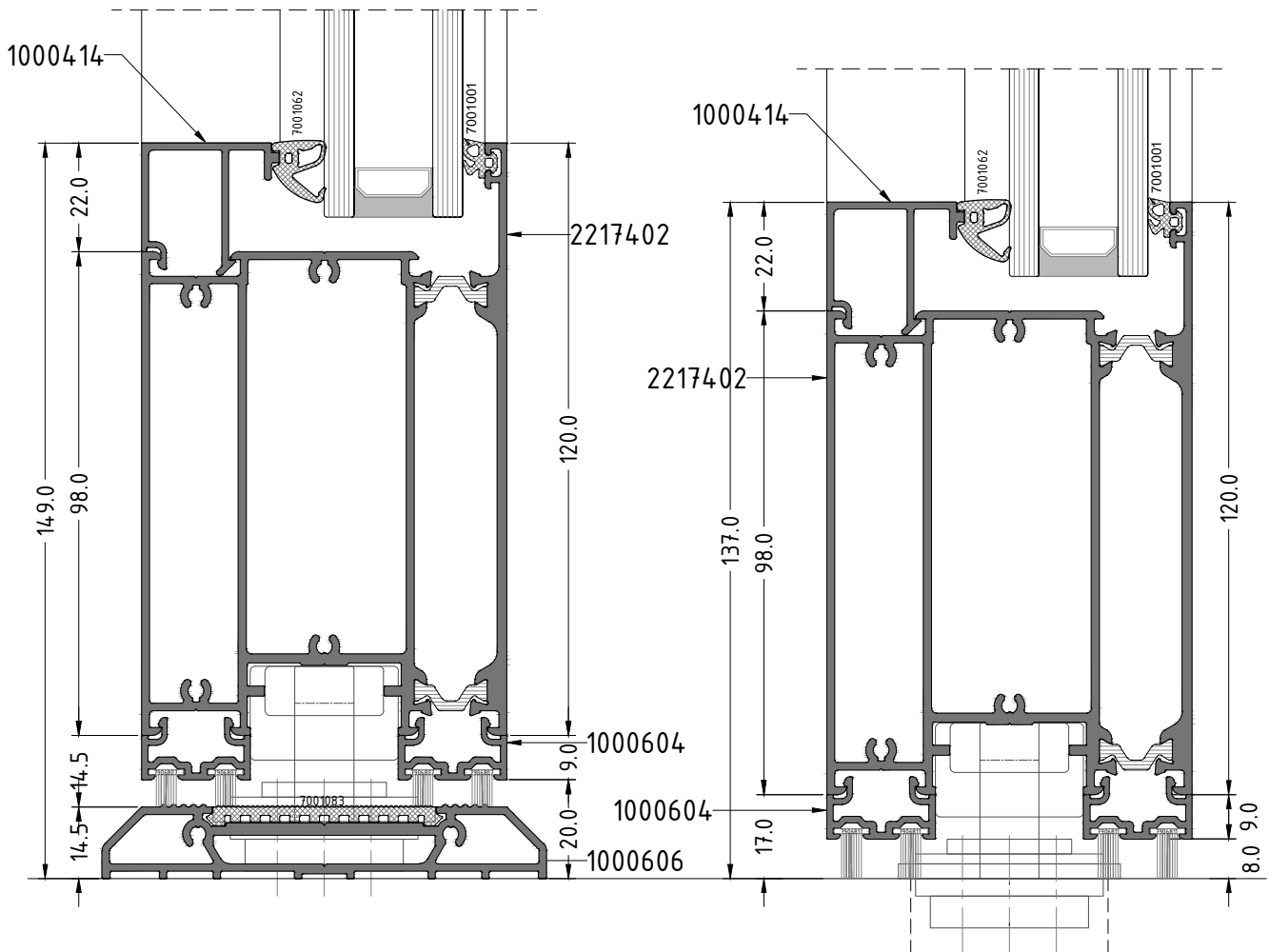
PIVOT DOOR



Section C



PIVOT DOOR

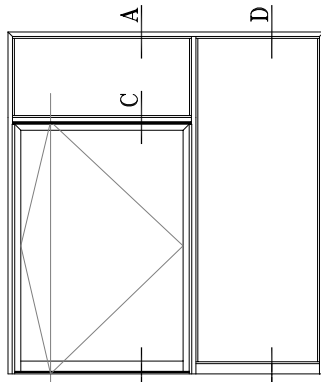


Section B

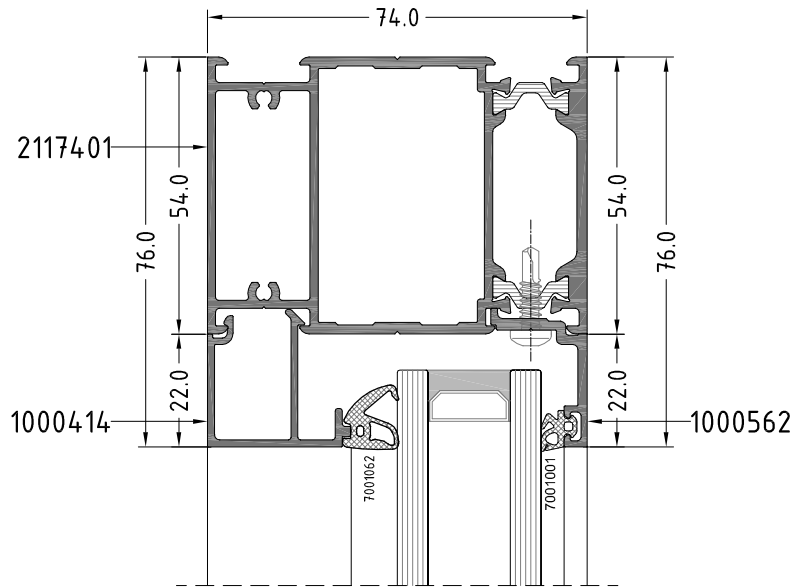
With Threshold 1000606

Section B

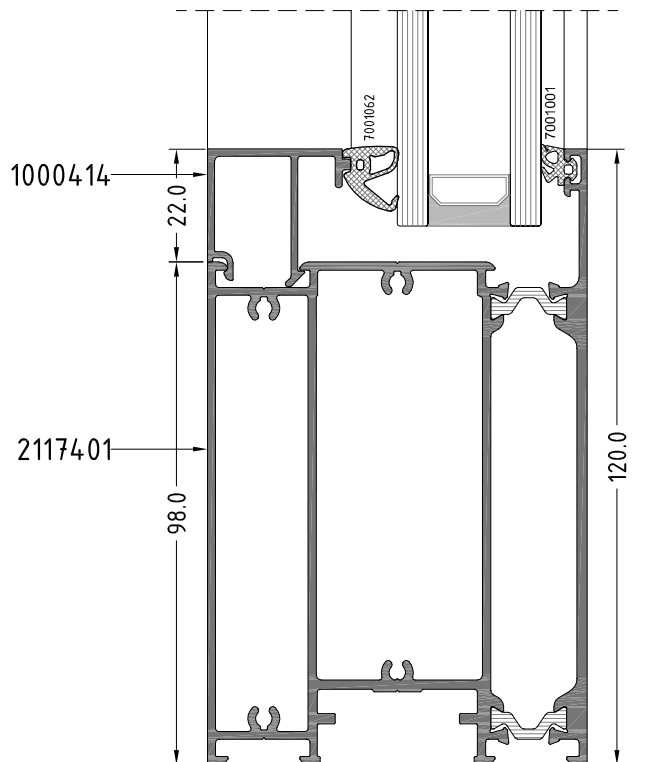
Without Threshold



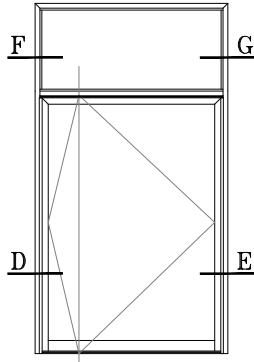
PIVOT DOOR



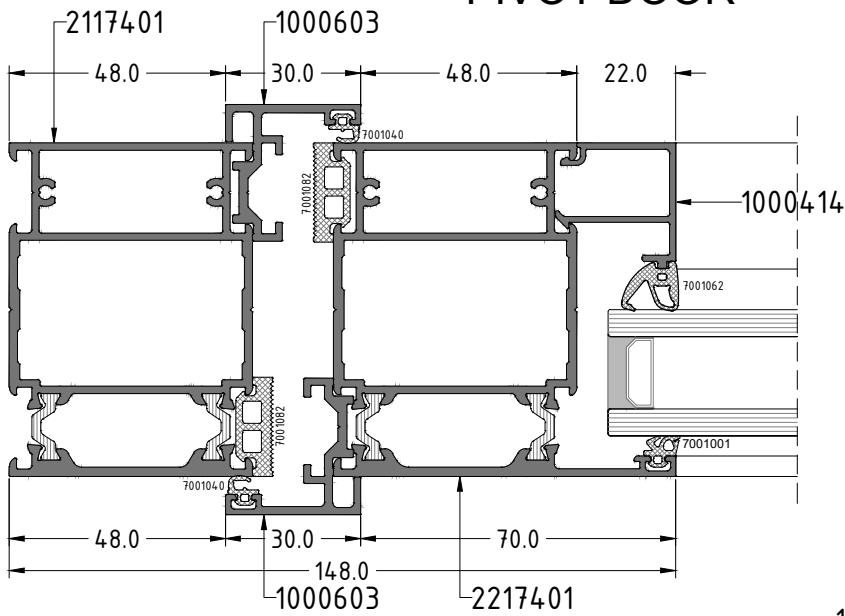
Section D



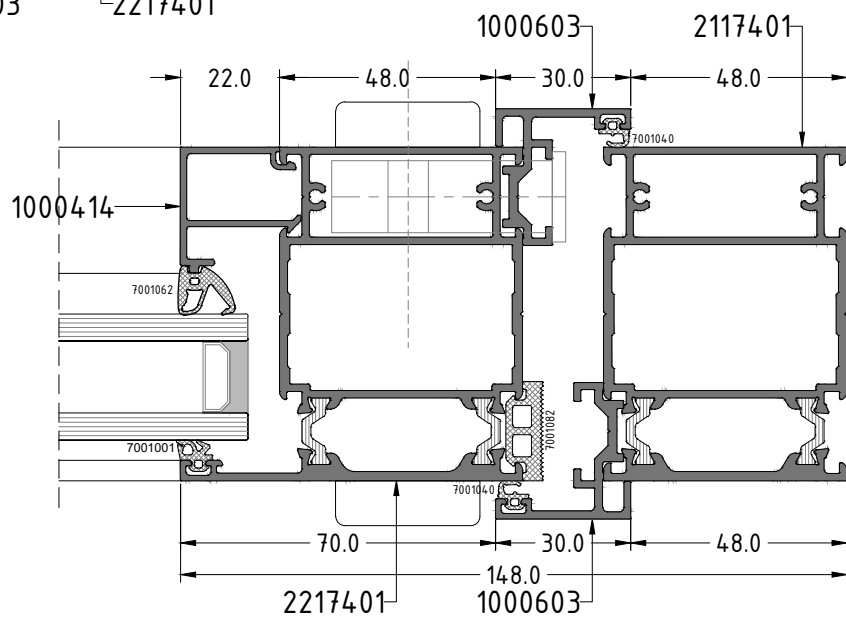
Section E



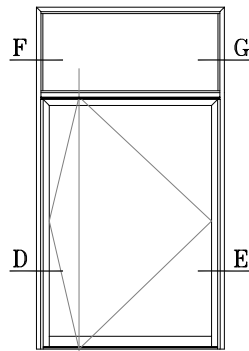
PIVOT DOOR



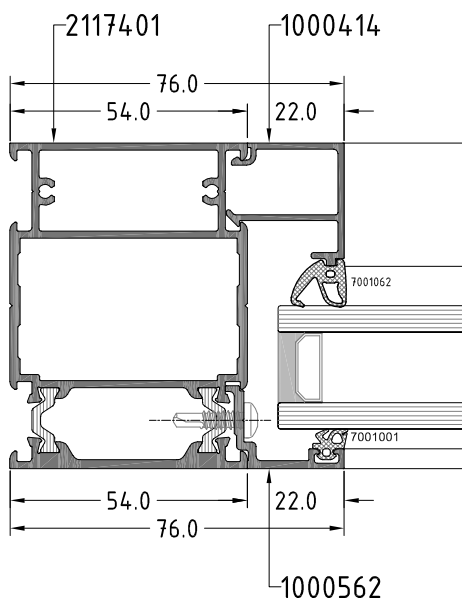
Section D



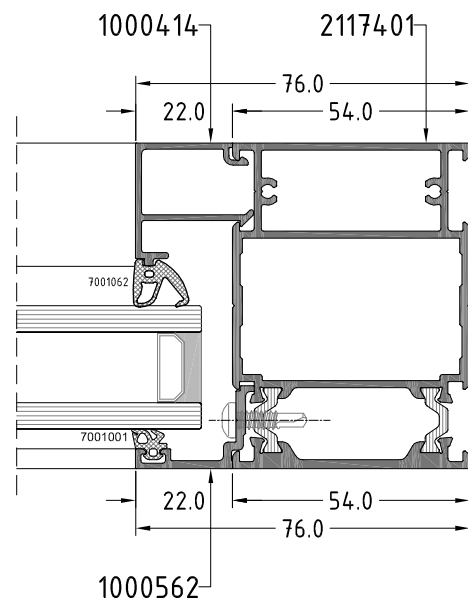
Section E



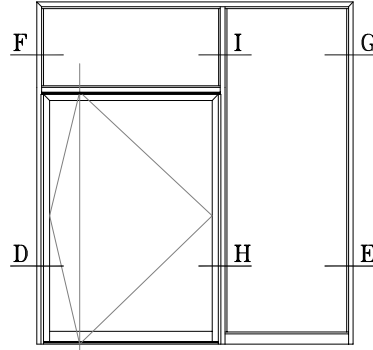
PIVOT DOOR



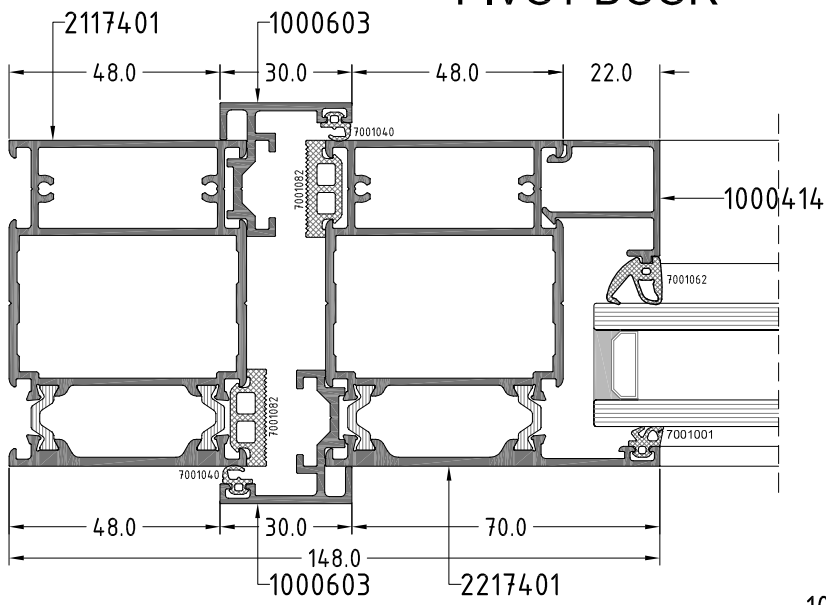
Section F



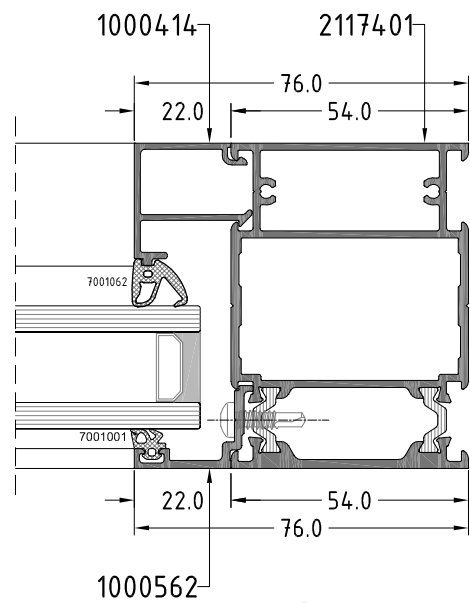
Section G



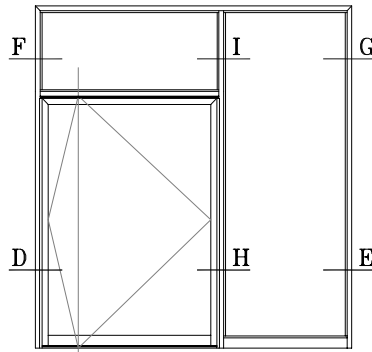
PIVOT DOOR



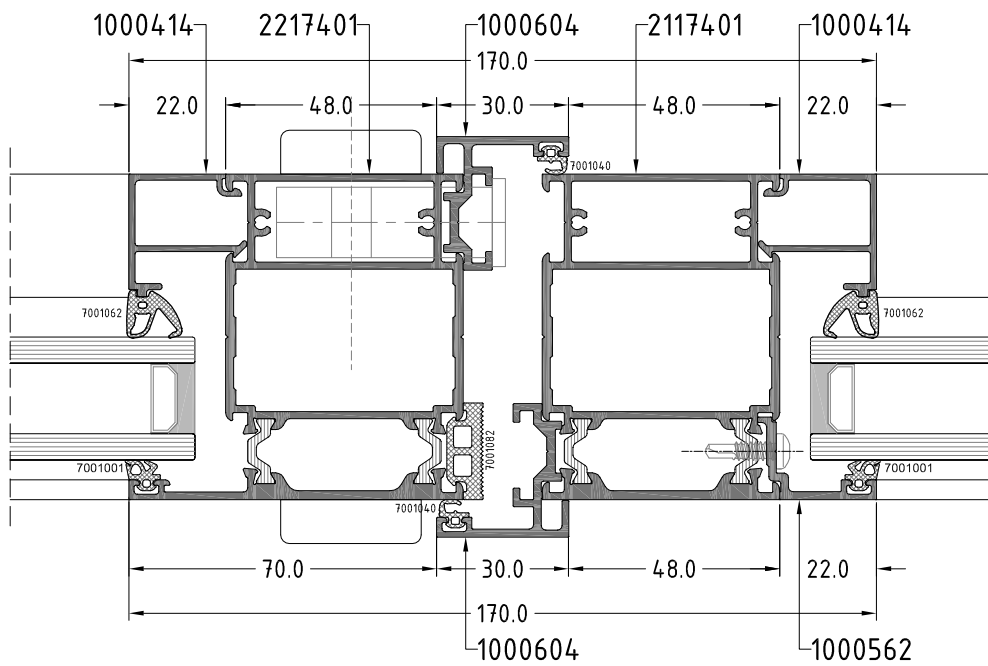
Section D



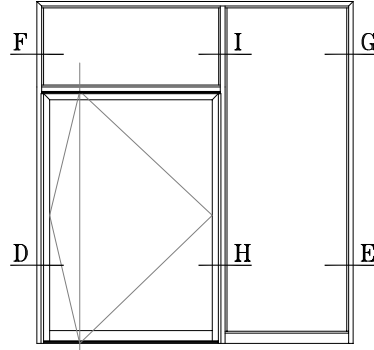
Section E



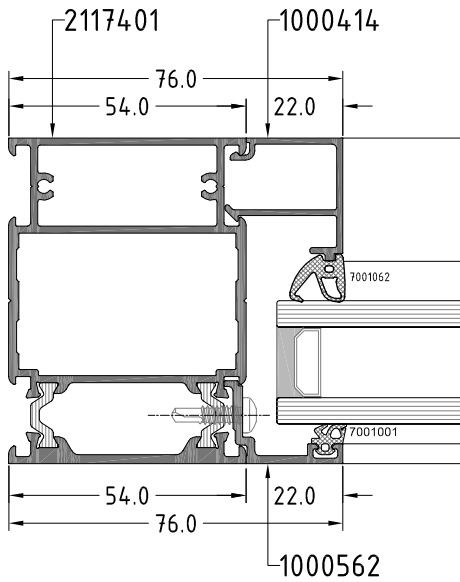
PIVOT DOOR



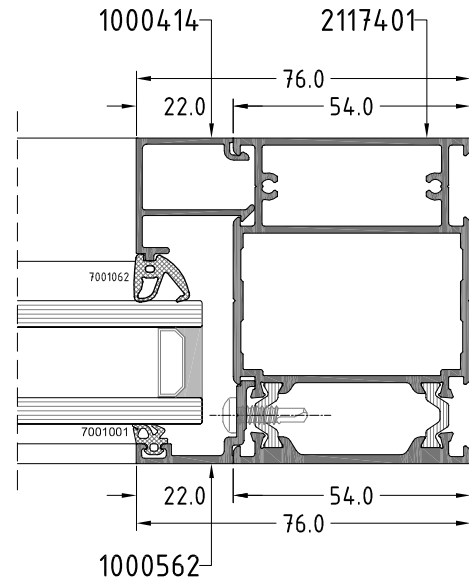
Section H



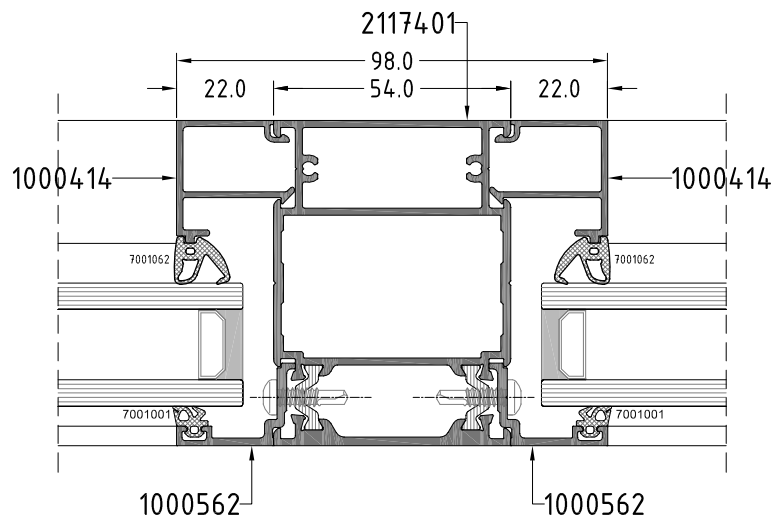
PIVOT DOOR



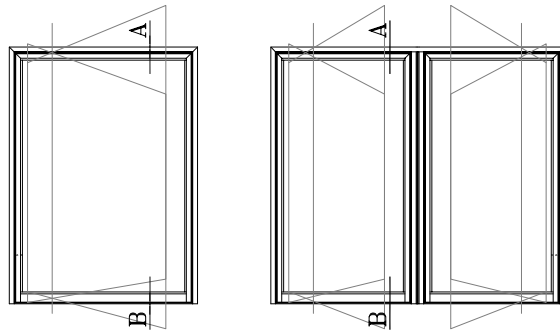
Section F



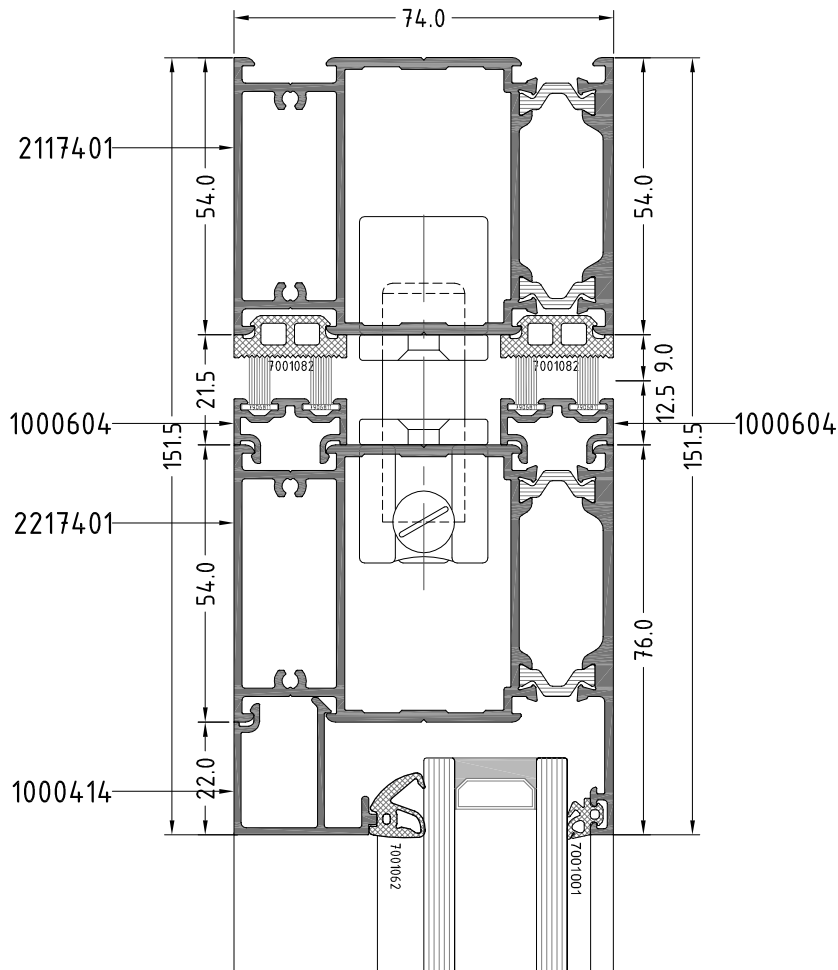
Section G



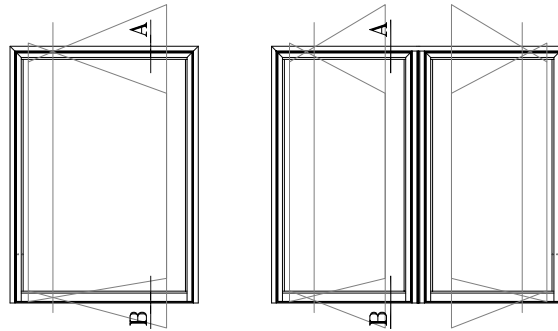
Section I



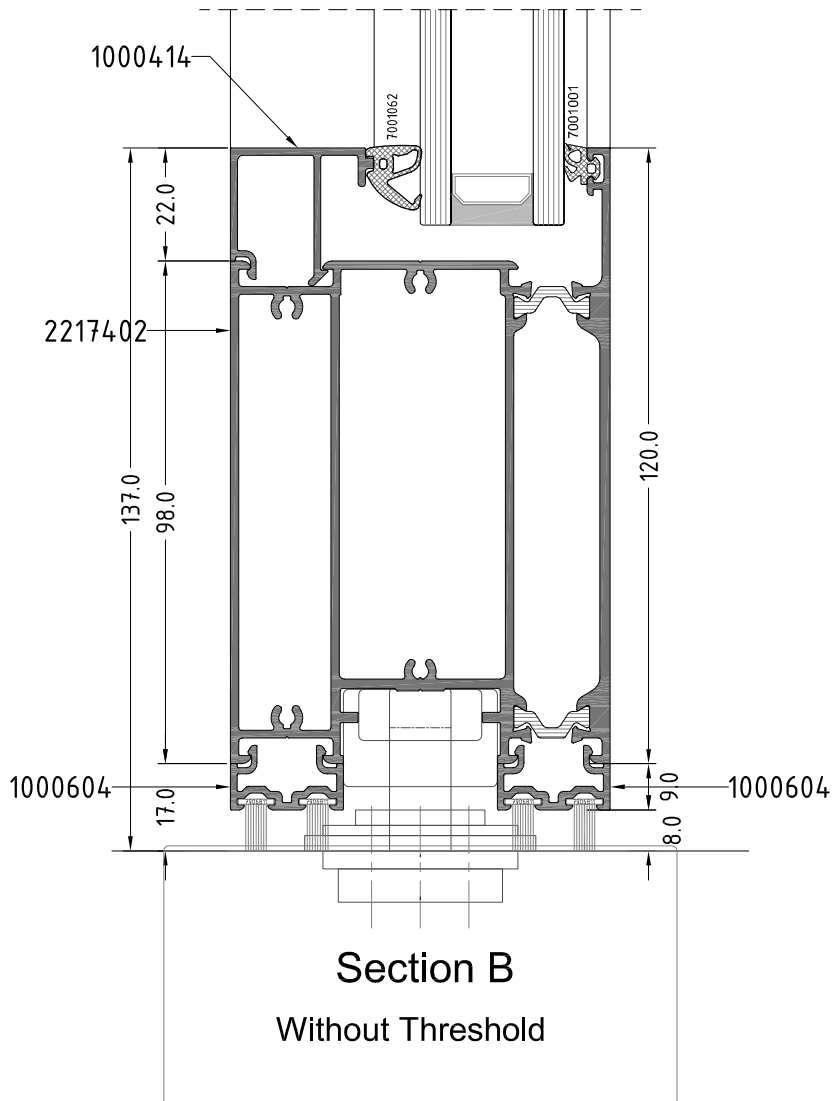
DOUBLE ACTION DOOR

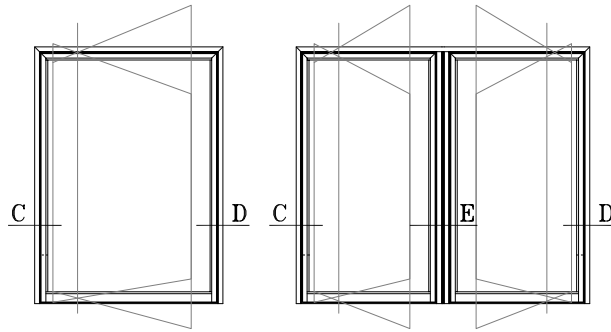


Section A

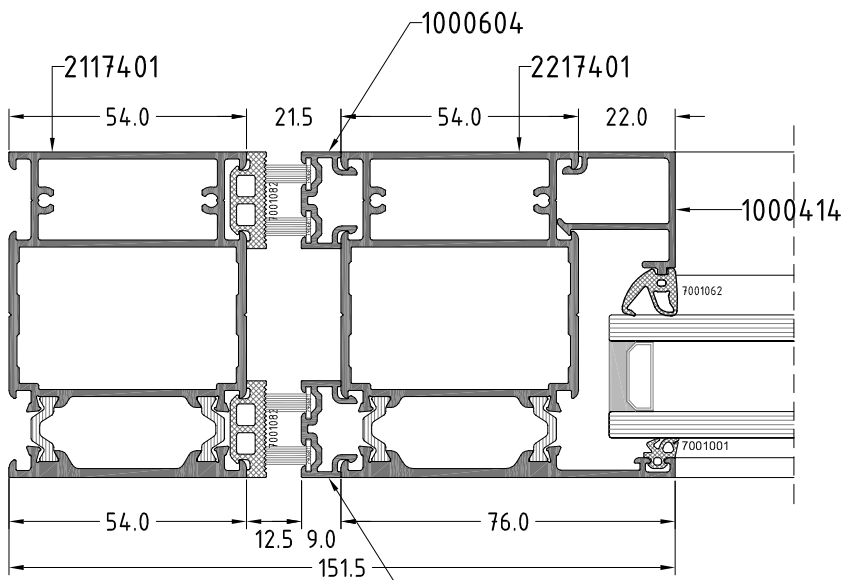


DOUBLE ACTION DOOR

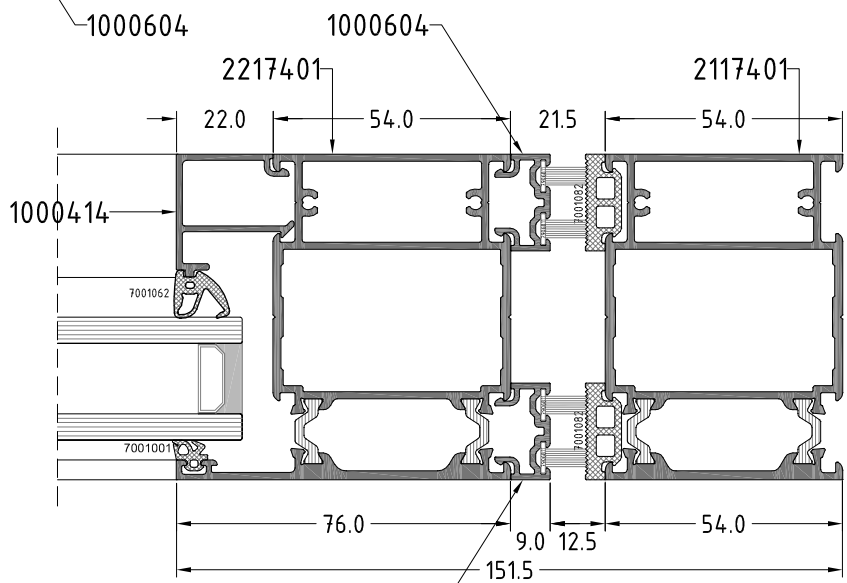




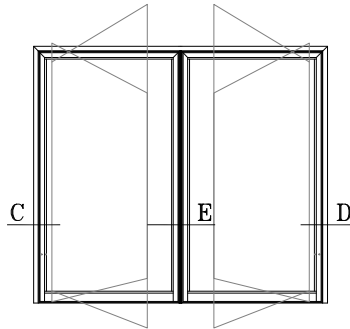
DOUBLE ACTION DOOR



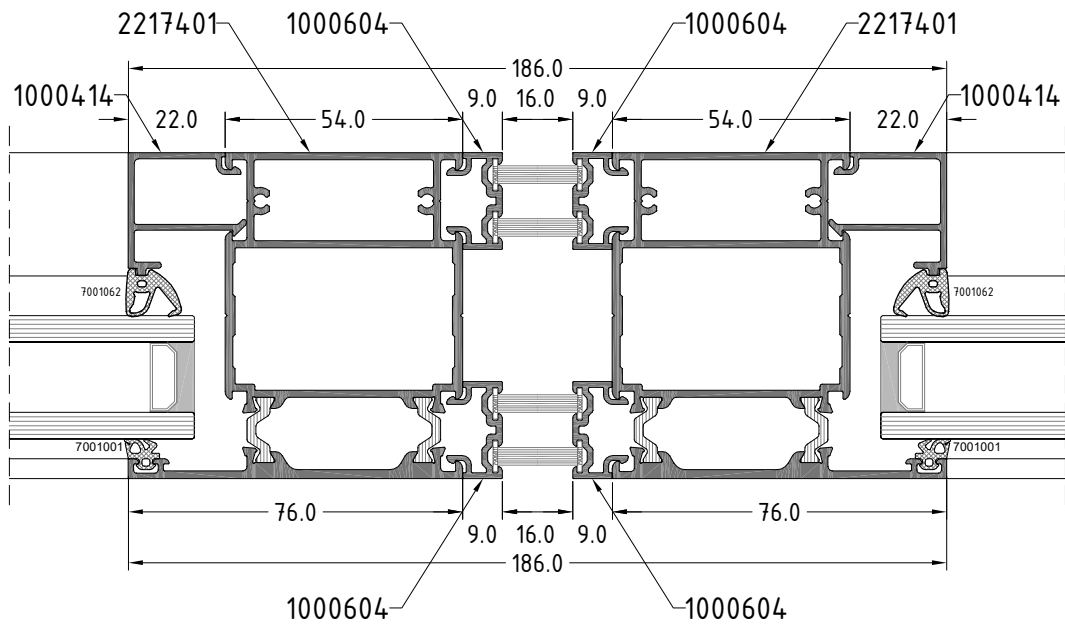
Section C



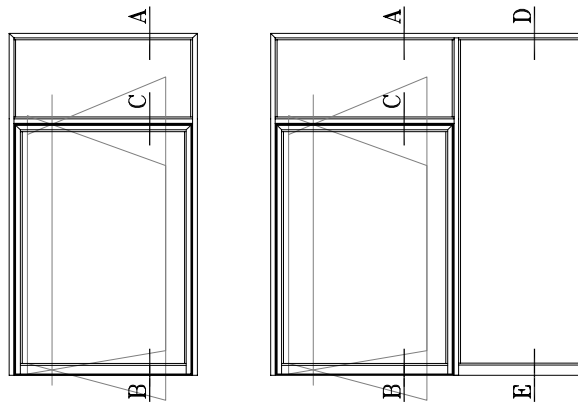
Section D



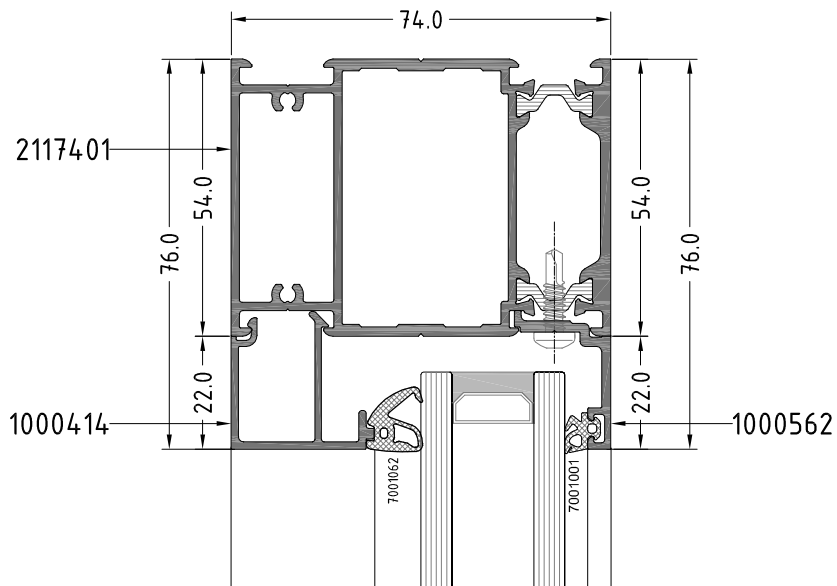
DOUBLE ACTION DOOR



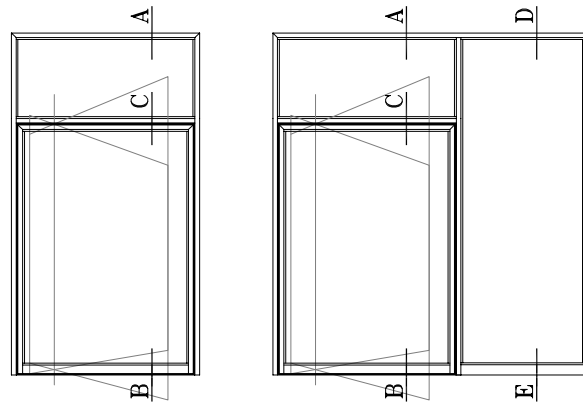
Section E



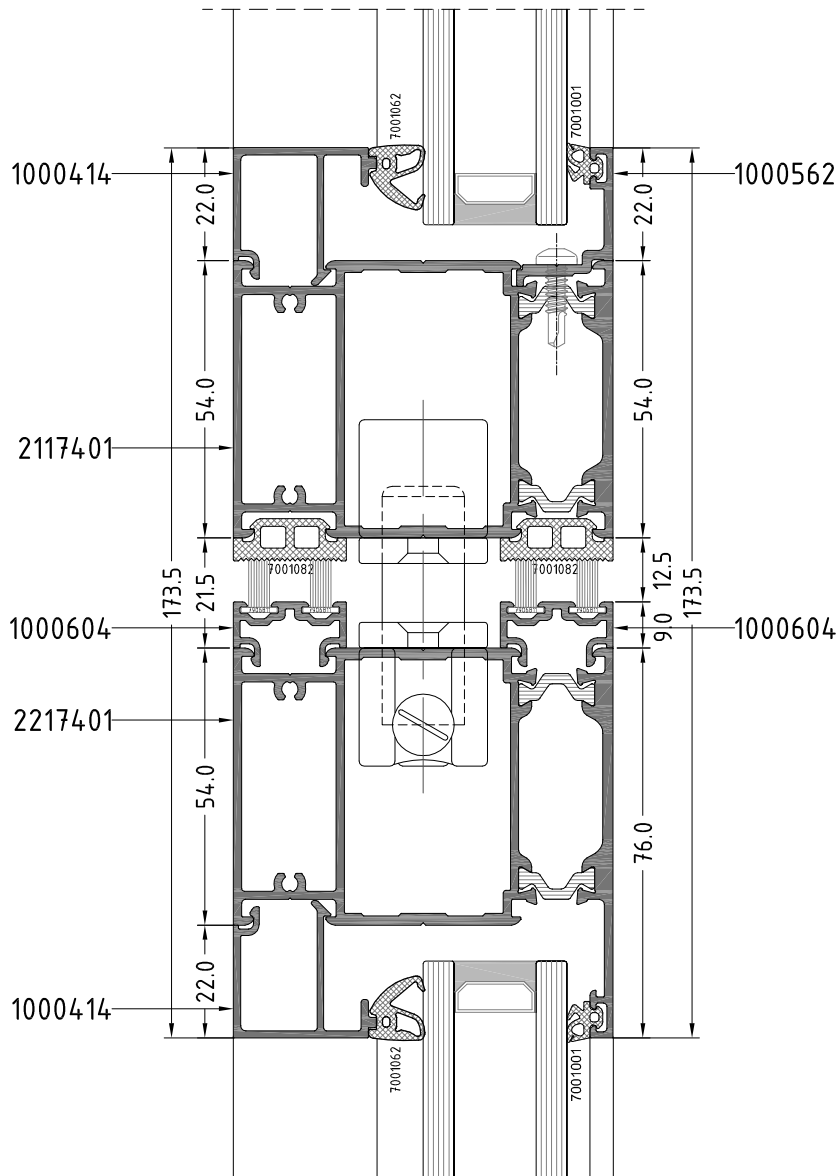
DOUBLE ACTION DOOR

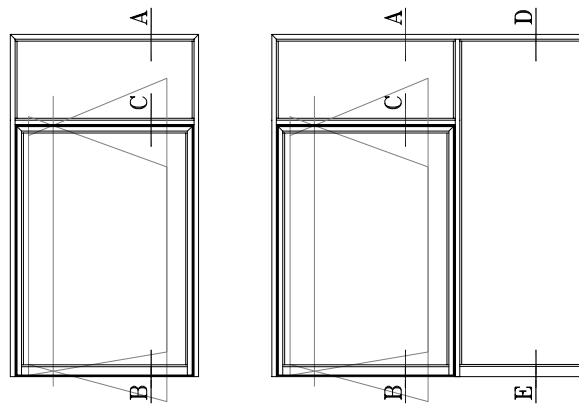


Section A

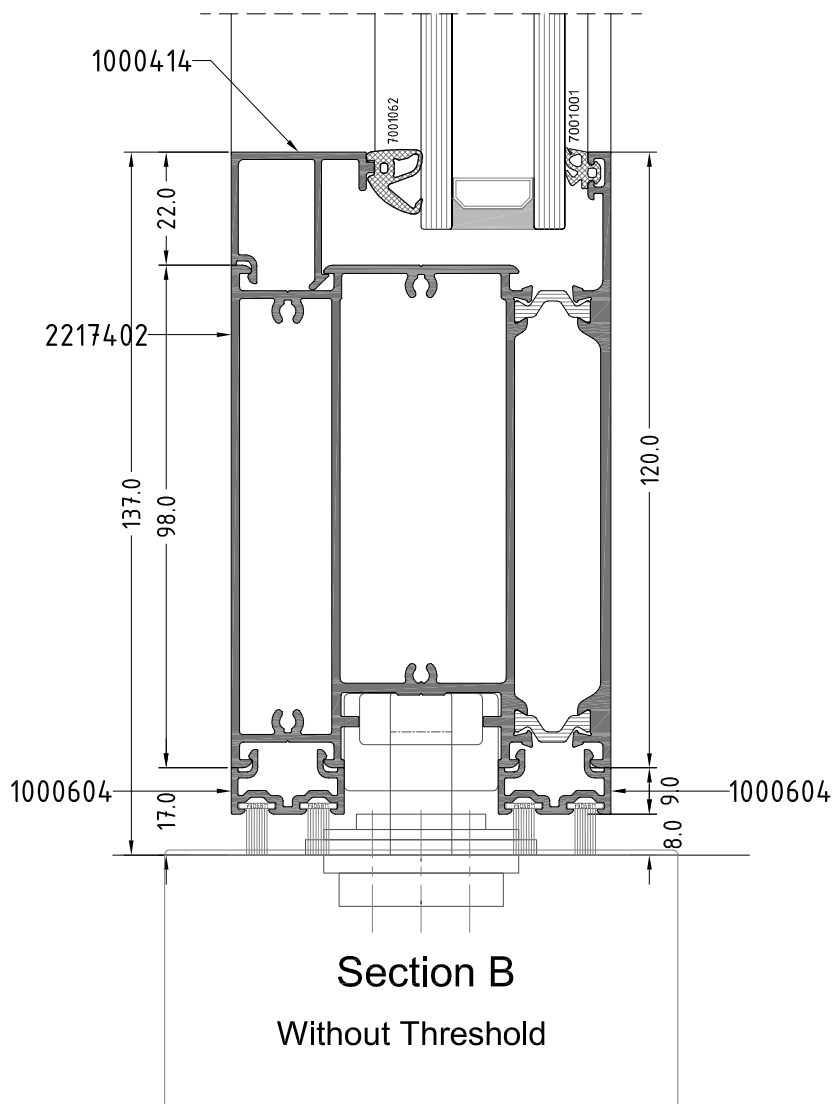


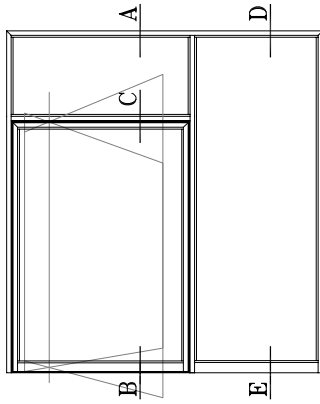
DOUBLE ACTION DOOR



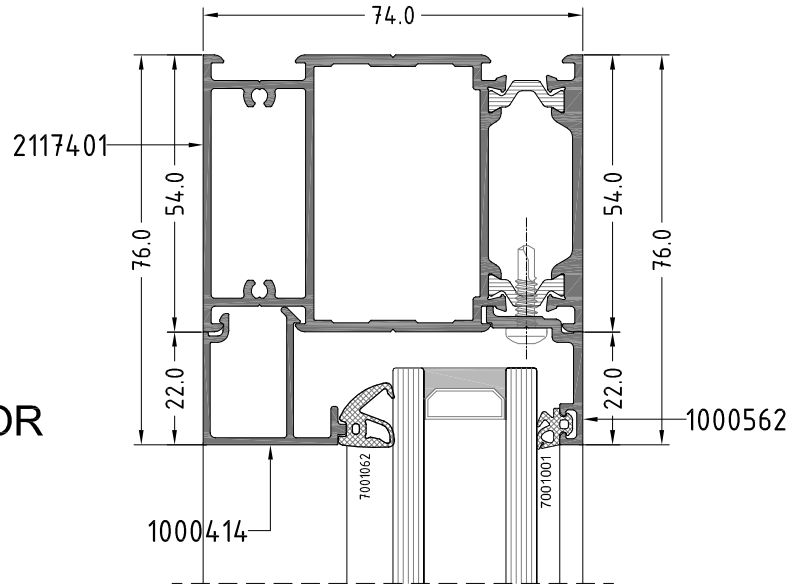


DOUBLE ACTION DOOR

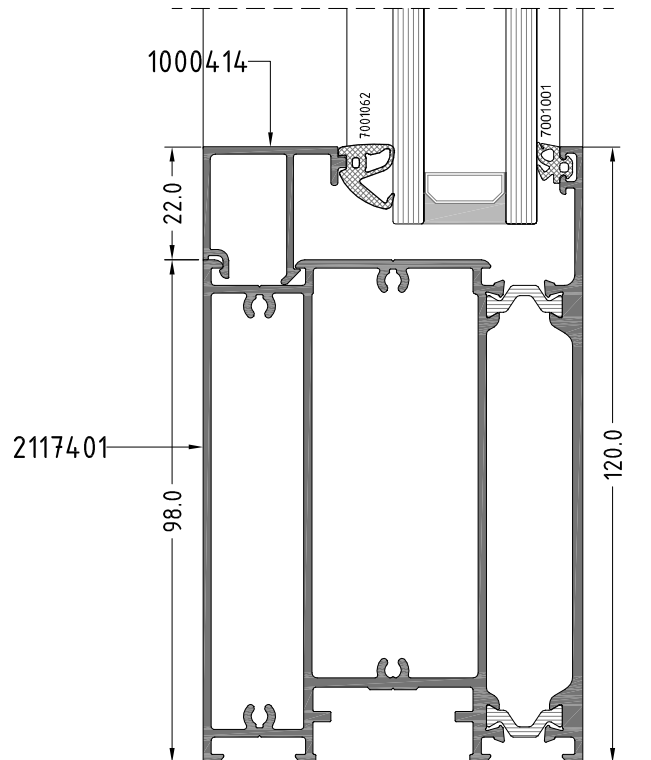




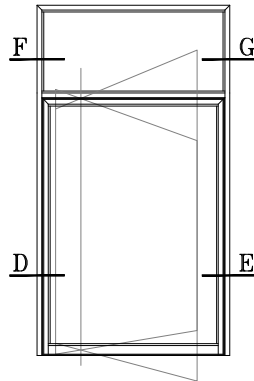
DOUBLE ACTION DOOR



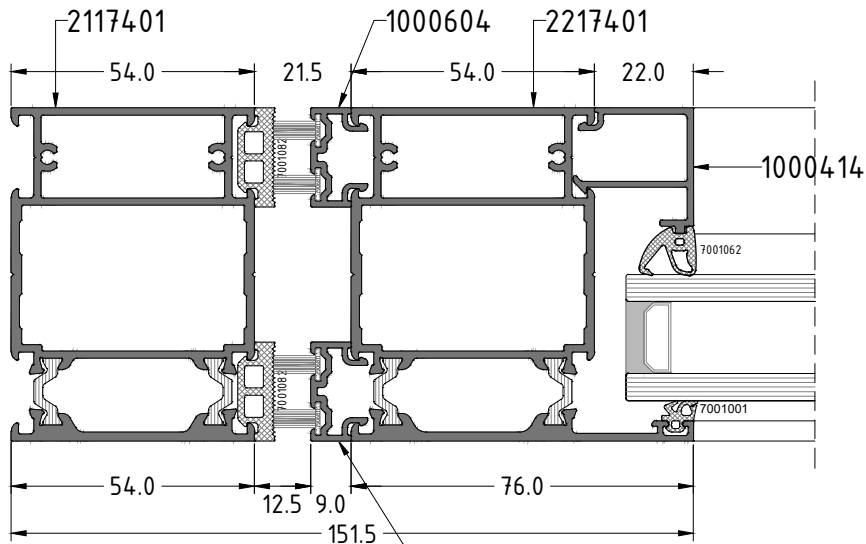
Section D



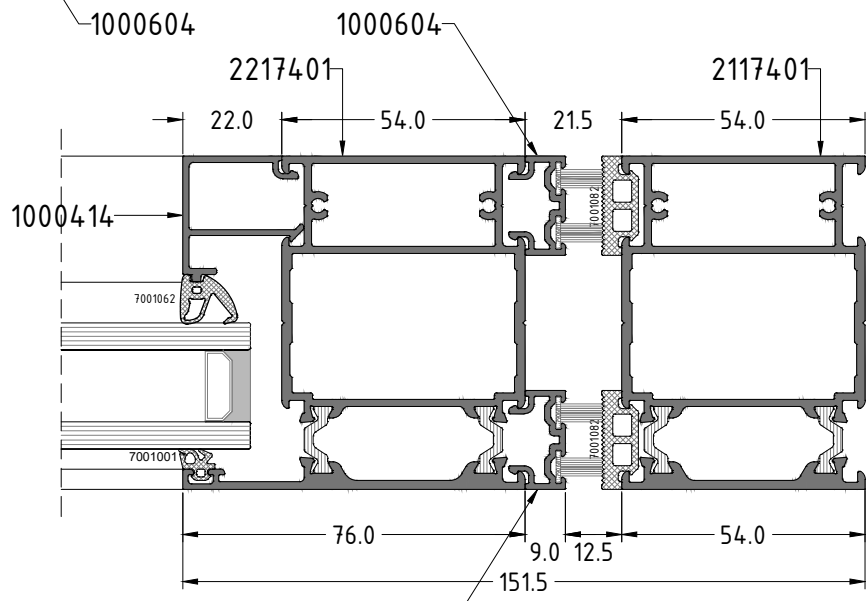
Section E



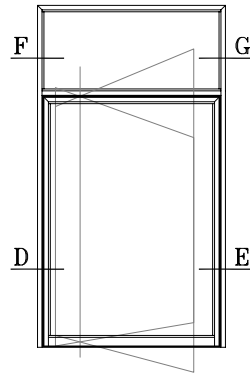
DOUBLE ACTION DOOR



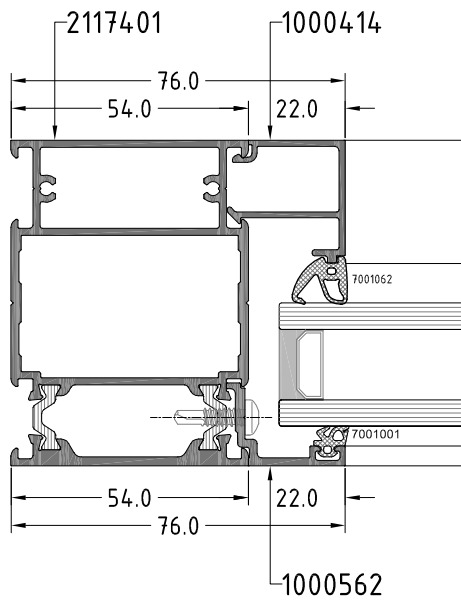
Section D



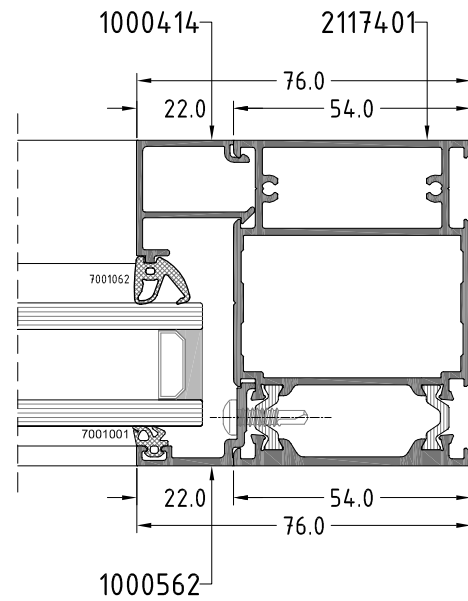
Section E



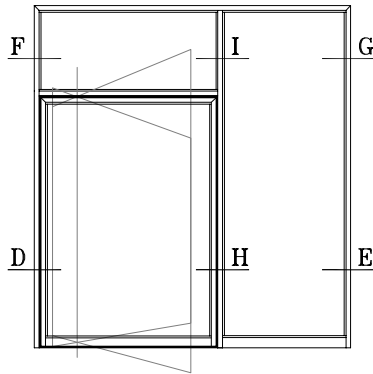
DOUBLE ACTION DOOR



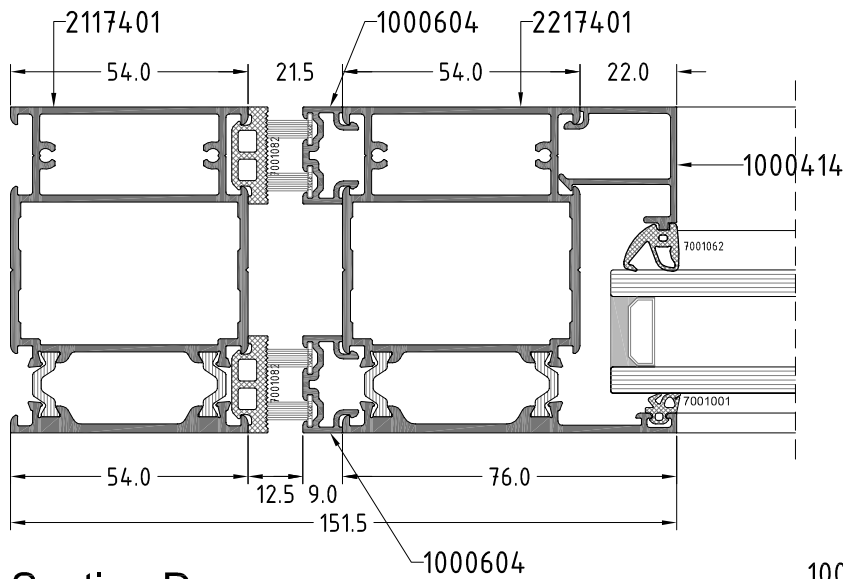
Section F



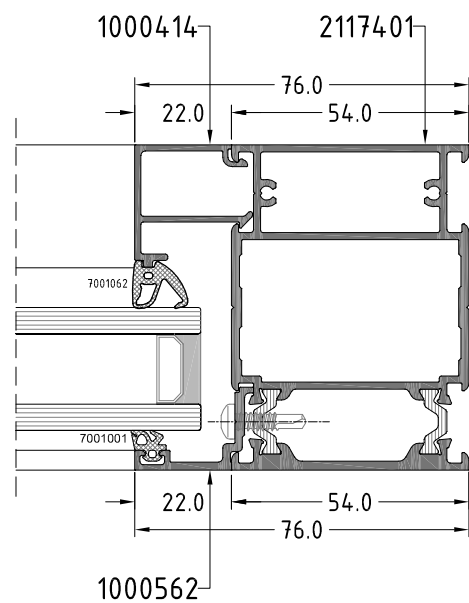
Section G



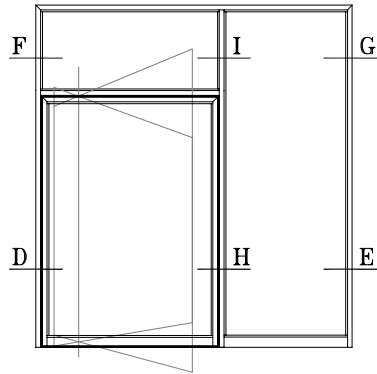
DOUBLE ACTION DOOR



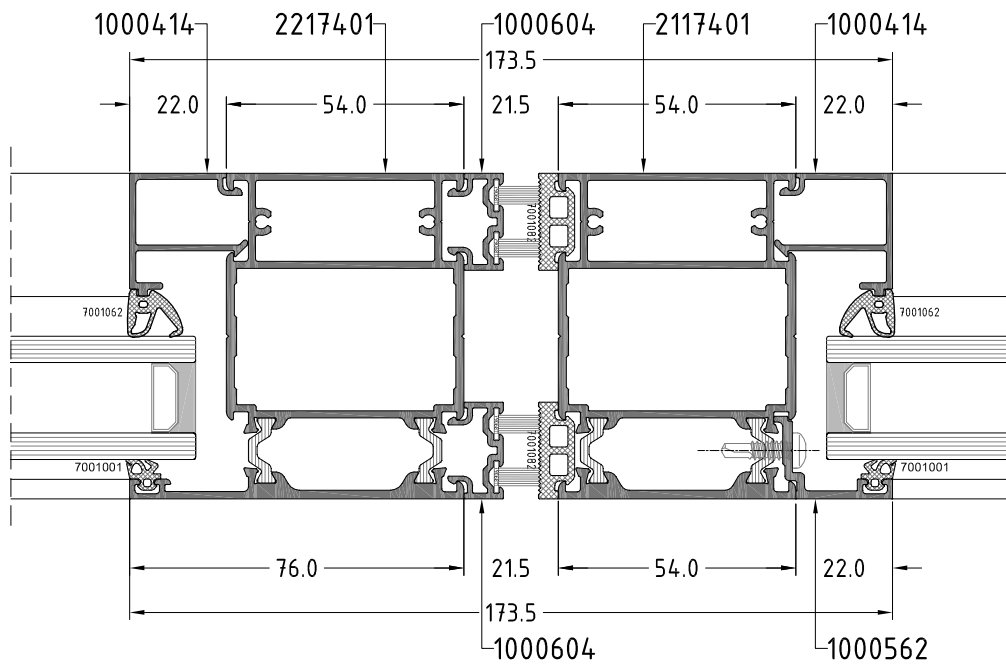
Section D



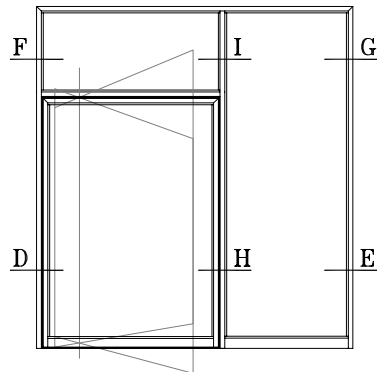
Section E



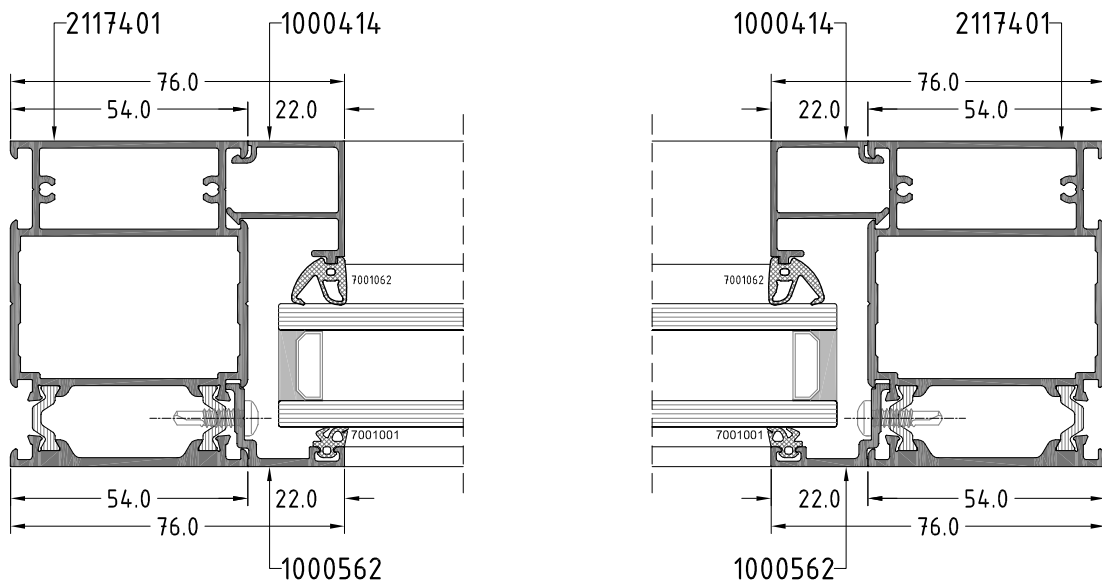
DOUBLE ACTION DOOR



Section H

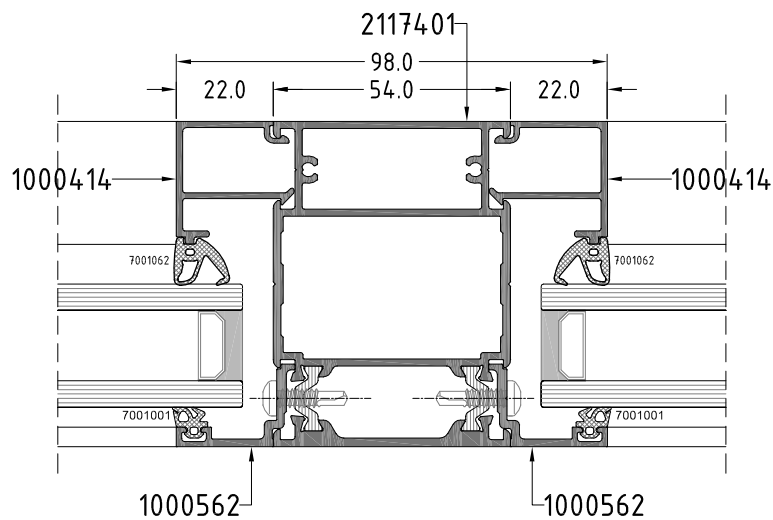


DOUBLE ACTION DOOR

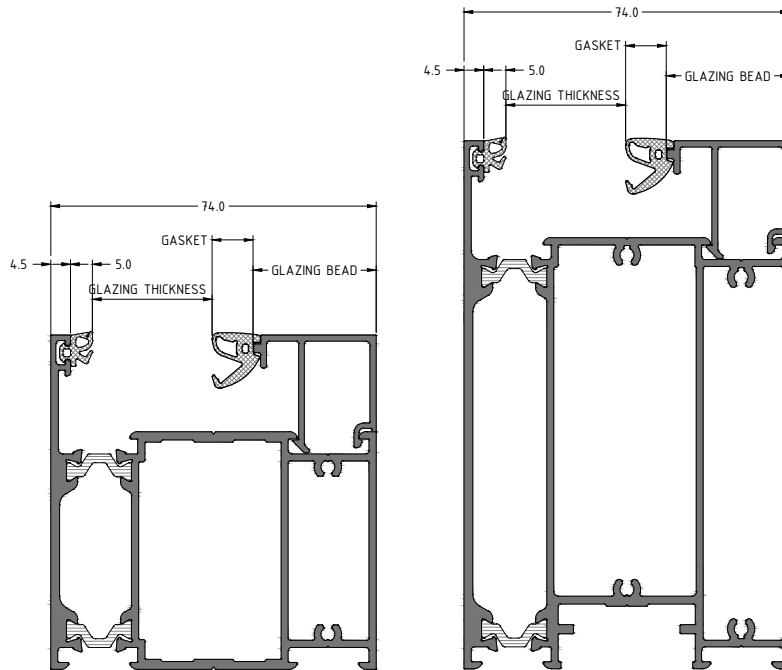


Section F

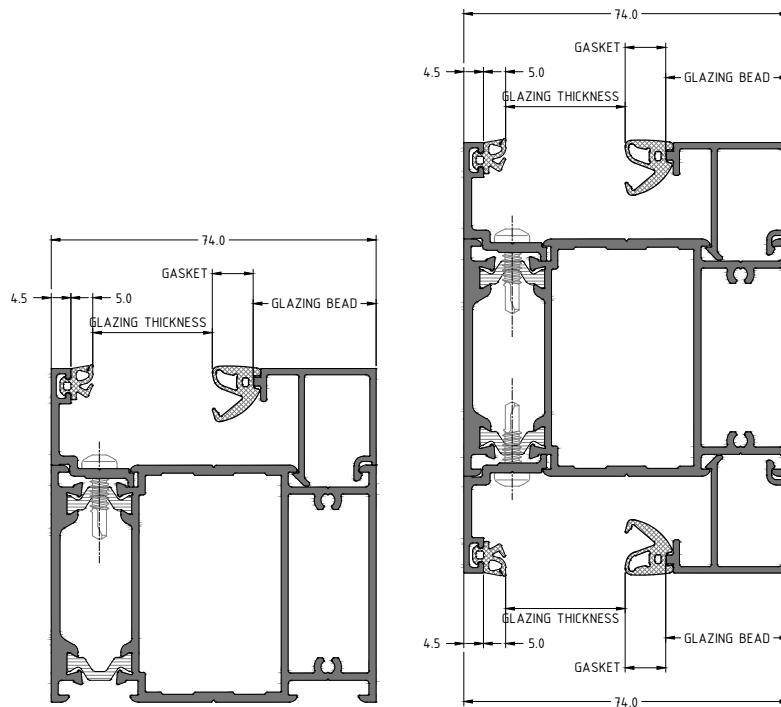
Section G



Section I



GLAZING THICKNESS	OUTER GLAZING GASKET	INNER GLAZING GASKET	INNER GLAZING GASKET TICK.	GLAZING BEAD PROFILE	GLAZING BEAD DEPTH
20mm.	7001001	7001062	10.5 mm.	1000467	36mm.
22mm.	7001001	7001002	8.5 mm.	1000467	36mm.
24mm.	7001001	7001005	6.5 mm.	1000467	36mm.
26mm.	7001001	7001034	4.5 mm.	1000467	36mm.
28mm.	7001001	7001062	10.5 mm.	1000414	28mm.
30mm.	7001001	7001002	8.5 mm.	1000414	28mm.
32mm.	7001001	7001005	6.5 mm.	1000414	28mm.
34mm.	7001001	7001034	4.5 mm.	1000414	28mm.
36mm.	7001001	7001062	10.5 mm.	1000405	20mm.
38mm.	7001001	7001002	8.5 mm.	1000405	20mm.
40mm.	7001001	7001005	6.5 mm.	1000405	20mm.
42mm.	7001001	7001034	4.5 mm.	1000405	20mm.
44mm.	7001001	7001062	10.5 mm.	1000409	12mm.
46mm.	7001001	7001002	8.5 mm.	1000409	12mm.
48mm.	7001001	7001005	6.5 mm.	1000409	12mm.
50mm.	7001001	7001034	4.5 mm.	1000409	12mm.



GLAZING THICKNESS	OUTER GLAZING GASKET	INNER GLAZING GASKET	INNER GLAZING GASKET TICK.	GLAZING BEAD PROFILE	GLAZING BEAD DEPTH
20mm.	7001001	7001062	10.5 mm.	1000467	36mm.
22mm.	7001001	7001002	8.5 mm.	1000467	36mm.
24mm.	7001001	7001005	6.5 mm.	1000467	36mm.
26mm.	7001001	7001034	4.5 mm.	1000467	36mm.
28mm.	7001001	7001062	10.5 mm.	1000414	28mm.
30mm.	7001001	7001002	8.5 mm.	1000414	28mm.
32mm.	7001001	7001005	6.5 mm.	1000414	28mm.
34mm.	7001001	7001034	4.5 mm.	1000414	28mm.
36mm.	7001001	7001062	10.5 mm.	1000405	20mm.
38mm.	7001001	7001002	8.5 mm.	1000405	20mm.
40mm.	7001001	7001005	6.5 mm.	1000405	20mm.
42mm.	7001001	7001034	4.5 mm.	1000405	20mm.
44mm.	7001001	7001062	10.5 mm.	1000409	12mm.
46mm.	7001001	7001002	8.5 mm.	1000409	12mm.
48mm.	7001001	7001005	6.5 mm.	1000409	12mm.
50mm.	7001001	7001034	4.5 mm.	1000409	12mm.